

MEYCO® Roadrunner - Technical Specifications

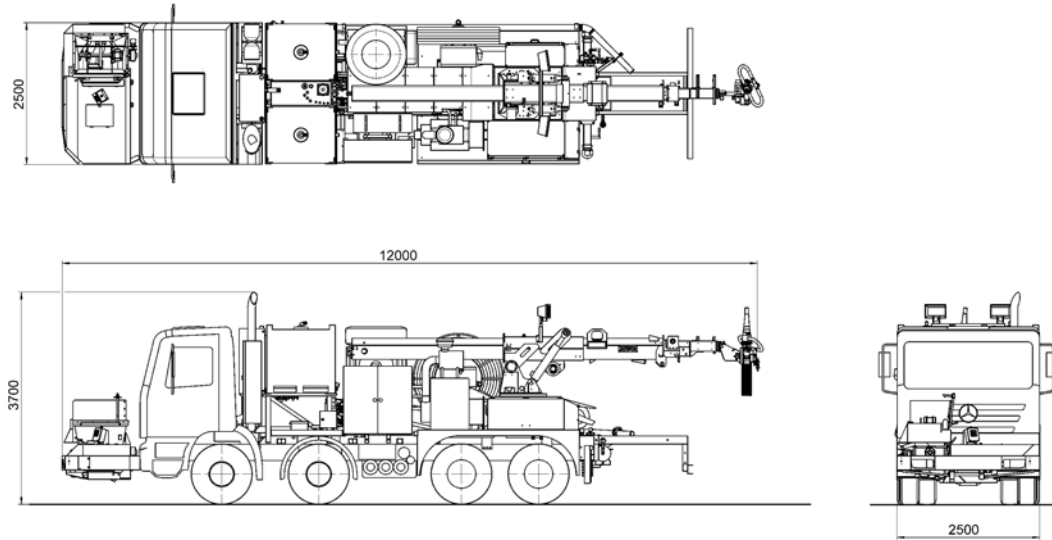
April 2009

Dimensions	Minimum transport (driving) measurements	12 x 2.5 x 3.5	m
	Width with delivery line (spraying)	2.85	m
	Filling height concrete hopper	1400	mm
	Weight with empty accelerator tanks	22 000	kg
Power	Single source for all components	150	kW
	Power Take Off from truck or mains supply through electric motor.		
Spraying manipulator	Max. spraying height	up to 17	m
	Parallel spraying length at 7 m height	up to 8.40	m
	Parallel spraying length at 11 m height	up to 9.20	m
	Parallel spraying length at 14 m height	up to 5.25	m
	Max. spraying width	up to 30	m
Performance	Concrete pump max. theor. at constant 50 bar	30	m ³ /h
	Dosing pump max. at 8 bar	20	litre/min.
Chassis	For example: Roadworthy Mercedes-Benz Actros. Type 3241-B, 8 x 4/4 with PTO		
	Total axle load – max. permissible	32200	kg
	Front axles – max. permissible	2 x 7500	kg
	Rear axles – max. permissible	2 x 10000	kg
Air compressor	Power	75	kW
	Capacity	11.5	m ³ /min.
	Pressure	7	bar
Accessories	E-cable standard length at 400V (3 x 95/50mm ²)	100	m
	E-cable standard length at 690V (3 x 70/35mm ²)	140	m
	MEYCO® delivery and nozzle system	100/80	mm
	Admixture tank(s)	up to 2000	litre
	Working lights	2 x 1500 + 500	W
	Water storage tank	400	litre
	Water pump pressure	12	bar
	Water pump volume	1000	litre/h
	Hose reel + nozzle for hopper cleaning	5	m
	High pressure water cleaner	10-155	bar
	Hose and spraying pistol	20	m
	Release oil tank	40	litre
Hose reel + pistol (release oil/curing agent)	20	m	

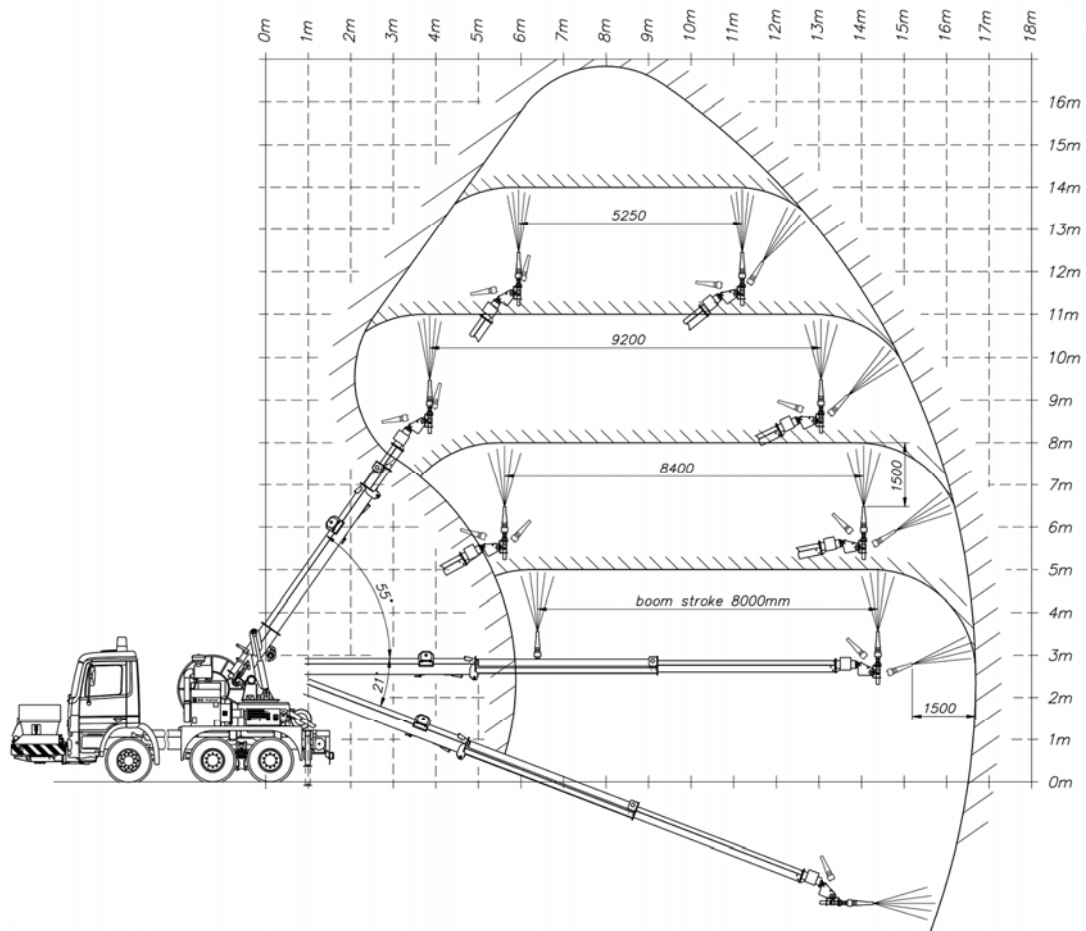
Strictly subject to technical modifications !



The Chemical Company



Dimensions for road transport



Spraying range of MEYCO® Maxima spraying manipulator

for further information please contact:

Telefon: +41 58 958 2700 / Fax +41 58 958 37 07 / www.meyco.basf.com

